



CORDLESS TURBINE JET BLOWER – TOOL ONLY

48V MAX* | 140 MPH MAX | 560-CFM MAX

OPERATOR'S MANUAL

A Division of Snow Joe®, LLC

Model 24V-X2-JB500-CT-RM

Form No. SJ-24V-X2-JB500-CT-RM-880E-M-V1

THANKS FOR YOUR PURCHASE OF A REMANUFACTURED PRODUCT.

To make sure you get the most out of your product, be sure to register online at

sunjoe.com

to enjoy full product support.

PASTE UPC LABEL HERE



CORDLESS TURBINE JET BLOWER – TOOL ONLY

48V MAX* | 140 MPH MAX | 560-CFM MAX

OPERATOR'S MANUAL

A Division of Snow Joe®, LLC

Model 24V-X2-JB500-CT-RM

Form No. SJ-24V-X2-JB500-CT-RM-880E-M-V1

IMPORTANT! Safety Instructions

All Operators Must Read These Instructions Before Use

Read all the instructions contained in this manual. Keep this manual in a safe place, so that the information is available at all times. If you give the equipment to another person, make sure to provide these operating instructions. Basic safety precautions should always be followed to reduce the risk of fire, electric shock, and personal injury.

⚠️ DANGER! This indicates a hazardous situation, which, if not followed, will result in serious injury or death.

⚠️ WARNING! This indicates a hazardous situation, which, if not followed, could result in serious injury or death.

⚠️ CAUTION! This indicates a hazardous situation, which, if not followed, could result in minor or moderate injury.

Improper use of the machine will invalidate the warranty, relieve the manufacturer from all liabilities. The user will consequently be liable for all and any damage or injury to himself/herself or others.

General Safety

FOR HOUSEHOLD USE ONLY

⚠️ CAUTION! Wear appropriate hearing protection during use. After long periods of extended use, the noise generated from this appliance may cause hearing loss if your ears are not properly protected.

⚠️ WARNING! When using the power tool, basic safety precautions should always be followed to reduce the risk of fire, electric shock, and personal injury. These include:

1. **Keep work area clean and well-lit** – Cluttered, dark areas invite accidents.
2. **Replacement parts** – When servicing this unit, use only identical replacement parts.
3. **Keep children, bystanders, and pets away** – All spectators, including pets, should be kept a safe distance away from the work area.

4. **Dress properly** – Do not wear loose clothing or jewelry as such articles can get caught in moving parts. Wear a protective covering to contain long hair. Wearing rubber gloves and substantial non-slip footwear is recommended when working outdoors.

⚠️ WARNING! Read all safety warnings and instructions. Failure to follow the warnings and instructions may result in electric shock, fire and/or serious injury.

5. **Prevent unintentional starting** – Ensure the switch is in the off-position before connecting to battery packs, picking up or carrying the appliance. Carrying the appliance with your finger on the switch or energizing appliance that have the switch on invites accidents.
6. **Disconnect battery packs from the appliance before making any adjustments, changing accessories, or storing appliance** – Such preventive safety measures reduce the risk of starting the appliance accidentally.
7. **Recharge only with the charger specified by the manufacturer** – A charger that is suitable for one type of battery pack may create a risk of fire when used with another battery pack.
8. **Use appliances only with specifically designated battery packs** – Use of any other battery packs may create a risk of injury and fire.
9. **When battery pack is not in use, keep it away from other metal objects, like paper clips, coins, keys, nails, screws or other small metal objects, that can make a connection from one terminal to another.** Shorting the battery terminals together may cause burns or a fire.
10. **Under abusive conditions, liquid may be ejected from the batteries; avoid contact** – If contact accidentally occurs, flush with water. If liquid contacts eyes, additionally seek medical help. Liquid ejected from the batteries may cause irritation or burns.
11. **Do not use a battery pack or appliance that is damaged or modified** – Damaged or modified batteries may exhibit unpredictable behavior resulting in fire, explosion or risk of injury.
12. **Do not expose a battery pack or appliance to fire or excessive temperature** – Exposure to fire or temperature above 265°F (130°C) may cause explosion.
13. **Follow all charging instructions and do not charge the battery pack or appliance outside of the temperature range specified in the instructions.** Charging improperly or at temperatures outside of the specified range may damage the battery and increase the risk of fire.

14. Have servicing performed by a qualified repair person using only identical replacement parts. This will ensure that the safety of the product is maintained.

15. Do not modify or attempt to repair the appliance or the battery packs (as applicable) except as indicated in the instructions for use and care.

⚠️ WARNING! Do not modify or attempt to repair the appliance or the battery packs (as applicable) except as indicated in the instructions for use and care.

16. Moving parts – Keep hands and feet away from moving parts. Keep guards in place and in proper working order.

17. Do not force the tool – It will perform better with less likelihood of personal or mechanical injury if it is used at the rate for which it is designed.

18. Wear personal protective equipment – When using this tool, wear safety glasses with side shields or goggles to provide necessary eye protection. Wear ear defenders to prevent hearing damage. Use a face or dust mask if the work environment is dusty.

19. Remove the batteries – Remove the batteries when the tool is not in use, before servicing it, when changing accessories, and when performing any other maintenance task.

20. Store idle tool indoors – When not in use, the blower should be stored indoors in a dry and high or locked-up place out of the reach of children.

21. Use the right tool – Do not use the tool for any job except that for which it is intended.

22. Avoid dangerous environments – Do not use the blower in rain, damp, or wet locations.

23. Stay alert – Watch what you are doing. Use common sense. Do not operate the blower when you are tired or under the influence of drugs, alcohol, or other medication.

Additional Safety Instructions

- Do not use the blower in the rain or in a damp area.
- Use extra care when cleaning on stairs or steps.
- Keep firm footing and maintain good balance at all times. Do not overreach. Overreaching can result in loss of balance.
- Do not use the tool if the power button does not turn it ON or OFF. Any tool that cannot be controlled with the ON/OFF button is dangerous and must be repaired.
- Carefully inspect your appliance prior to use and follow all label and marking instructions.
- Keep all parts of your body away from any moving parts and all hot surfaces of the unit.
- Do not put any object into the tool's openings. Do not use the tool with any opening blocked; keep openings free of dust, lint, hair, or any other object that may reduce air flow.
- Check the work area before each use. Remove all objects such as rocks, broken glass, nails, wire, or string, which can be thrown or become entangled in the machine.

- Service on the product must be performed by qualified repair personnel only. Service or maintenance performed by unqualified personnel could result in injury to the user or damage to the product.

- This blower is intended for residential use only. Commercial use of this product is prohibited and will void the manufacturer's warranty.

- Never run the unit without the proper equipment attached. Always ensure the blower tube is properly installed.

- Always grasp the handle when operating the unit, only operate the machine in its intended orientation.

Specific Safety Rules For Jet Blowers

- The jet blower has been designed to clear light debris and leaves from hard surfaces – not for clearing grassed areas.

- When operating the unit, never point the jet blower nozzle in the direction of people or pets or in the direction of windows. Use extra caution when blowing debris near solid objects, such as trees, automobiles, and walls.

- Be sure to secure the unit when transporting it.

- Never douse or squirt the unit with water or any other liquid. Clean the unit after each use as described in the cleaning and storage section.

Battery & Charger Safety Instructions

NOTE: This unit is the tool only. The battery and the charger are not included. They must be purchased separately. Model 24V-X2-JB500-CT-RM is compatible with the iON+ 24V System batteries and chargers. See page 14 for more information.

We pay a great deal of attention to the design of every battery pack to ensure that we supply you with batteries that are safe, durable and have a high energy density. The battery cells have a wide range of safety devices. Each individual cell is initially formatted and its electrical characteristic curves are recorded. This data is then used exclusively to be able to assemble the best possible battery packs.

Despite all the safety precautions, caution must always be exercised when handling batteries. The following points must be obeyed at all times to ensure safe use. Safe use can only be guaranteed if undamaged cells are used. Incorrect handling of the battery packs can cause cell damage.

IMPORTANT! Analyses confirm that incorrect use and poor care of high-performance batteries are the main factors responsible for personal and/or product damage.

⚠️ WARNING! Use only approved replacement batteries; other batteries may damage the jet blower and cause it to malfunction.

⚠ CAUTION! To reduce the risk of injury, charge the iON+ 24V lithium-ion battery packs only in the designated iON+ 24V lithium-ion charger. Other types of chargers present risk of fire, personal injury and damage. Do not wire the battery packs to a power supply plug or car cigarette lighter. Such misuse will permanently disable or damage the battery packs.

- **Avoid dangerous environments** – Do not charge the battery packs in rain, snow or in damp or wet locations. Do not use the battery packs or charger in the presence of explosive atmospheres (gaseous fumes, dust or flammable materials) because sparks may be generated when inserting or removing the battery packs, which could lead to a fire.

- **Charge in a well-ventilated area** – Do not block the charger vents. Keep them clear to allow for proper ventilation. Do not allow smoking or open flames near charging battery packs. Vented gases may explode.

NOTE: The safe temperature range for the batteries is 41°F – 105°F (5°C – 40.5°C). Do not charge the batteries outside in freezing weather; charge it at room temperature.

- **Maintain charger cord** – When unplugging the charger, pull the plug, not the cord, from the receptacle to reduce the risk of damage to the electrical plug and cord. Never carry the charger by its cord or yank it by the cord to disconnect it from the receptacle. Keep the cord away from heat, oil and sharp edges. Make sure the cord will not be stepped on, tripped over or subjected to damage or stress when the charger is in use. Do not use the charger with a damaged cord or plug. Replace a damaged charger immediately.

- **Do not use an extension cord unless it is absolutely necessary** – Using the wrong, damaged or improperly wired extension cord poses a risk of fire and electric shock. If an extension cord must be used, plug the charger into a properly wired 16 gauge or larger extension cord with the female plug matching the male plug on the charger. Make sure that the extension cord is in good electrical condition.

- **Charger 24VCHRG-DPC is rated for 120 volt AC only** – The charger must be plugged into an appropriate receptacle.

- **Use only recommended attachments** – Use of an attachment not recommended or sold by the battery charger or battery pack manufacturer may result in risk of fire, electric shock or personal injury.

- **Unplug charger when not in use** – Make sure to remove battery packs from unplugged chargers.

⚠ WARNING! To reduce the risk of electric shock, always unplug the charger before performing any cleaning or maintenance. Do not allow water to flow into the charger. Use a Ground Fault Circuit Interrupter (GFCI) to reduce shock hazards.

- **Do not burn or incinerate battery packs** – Battery packs may explode, causing personal injury or damage. Toxic fumes and materials are created when battery packs are burned.

- **Do not crush, drop or damage battery packs** – Do not use the battery packs or charger if they have sustained a sharp blow, been dropped, run over or have been damaged in any way (i.e. pierced with a nail, hit with a hammer, stepped on, etc.).

- **Do not disassemble** – Incorrect reassembly may pose a serious risk of electric shock, fire or exposure to toxic battery chemicals. If the batteries or charger are damaged, please contact an authorized Snow Joe® + Sun Joe® dealer or call the Snow Joe® + Sun Joe® customer service center at 1-866-SNOWJOE (1-866-766-9563).

- **Battery chemicals cause serious burns** – Never let a damaged battery pack contact the skin, eyes or mouth. If a damaged battery pack leaks battery chemicals, use rubber or neoprene gloves to safely dispose of it. If skin is exposed to battery fluids, wash the affected area with soap and water and rinse with vinegar. If eyes are exposed to battery chemicals, immediately flush with water for 20 minutes and seek medical attention. Remove and dispose of contaminated clothing.

- **Do not short circuit** – When battery packs are not in use, keep them away from other metal objects, like paper clips, coins, keys, nails, screws or other small metal objects, that can make a connection from one terminal to another. Shorting the battery terminals together may cause burns or a fire.

- **Store your battery packs and charger in a cool, dry place** – Do not store the battery packs or charger where temperatures may exceed 105°F (40.5°C), such as in direct sunlight or inside a vehicle or metal building during the summer.

Information about the batteries

1. The battery packs supplied with your cordless jet blower is only partially charged. The battery packs have to be charged completely before you use the tool for the first time.
2. For optimum battery performance, avoid low discharge cycles by charging the battery packs frequently.
3. Store the battery packs in a cool place, ideally at 77°F (25°C) and charged to at least 40%.
4. Lithium-ion batteries are subject to a natural aging process. The battery packs must be replaced at the latest when their capacity falls to just 80% of its capacity when new. Weakened cells in an aged battery packs are no longer capable of meeting the high power requirements needed for the proper operation of your jet blower, and therefore pose a safety risk.
5. Do not throw battery packs into an open fire as this poses a risk of explosion.
6. Do not ignite the battery packs or expose them to fire.
7. Do not exhaustively discharge batteries. Exhaustive discharge will damage the battery cells. The most common cause of exhaustive discharge is lengthy storage or non-use of partially discharged batteries. Stop working as soon as the performance of the batteries fall noticeably or the electronic protection system triggers. Place the battery packs in storage only after they have been fully charged.
8. Protect batteries and the tool from overloads. Overloads will quickly result in overheating and cell damage inside the batteries' housing even if this overheating is not apparent externally.









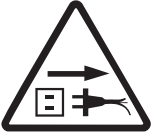

9. Avoid damage and shocks. Immediately replace batteries that have been dropped from a height of more than one meter or those that have been exposed to violent shocks, even if the housing of the battery packs appear to be undamaged. The battery cells inside the batteries may have suffered serious damage. In such instances, please read the waste disposal information for proper battery disposal.
10. If the battery packs suffer overloading and overheating, the integrated protective cutoff will switch off the equipment for safety reasons.
IMPORTANT! Do not press the ON/OFF button any more if the protective cut-off has been activated. This may damage the battery packs.
11. Do not use battery packs or an appliance that is damaged or modified. Damaged or modified batteries may exhibit unpredictable behavior resulting in fire, explosion or risk of injury.
12. Do not expose battery packs or an appliance to fire or excessive temperature. Exposure to fire or temperature above 266°F (130°C) may cause explosion.
13. Follow all charging instructions and do not charge the battery packs or appliance outside of the temperature range specified in the instructions. Charging improperly or at temperatures outside of the specified range may damage the batteries and increase the risk of fire.
8. Never use or charge batteries if you suspect that it has been more than 12 months since the last time they were charged. There is a high probability that the battery pack has already suffered dangerous damage (exhaustive discharge).
9. Charging batteries at a temperature below 41°F (5°C) will cause chemical damage to the cells and may cause a fire.
10. Do not use batteries that have been exposed to heat during the charging process, as the battery cells may have suffered dangerous damage.
11. Do not use batteries that have suffered curvature or deformation during the charging process or those that exhibit other atypical symptoms (gassing, hissing, cracking, etc.)
12. Never fully discharge the battery packs (maximum recommended depth of discharge is 80%). A complete discharge of the battery packs will lead to premature aging of the battery cells.

Information about the charger and the charging process

1. Please check the data marked on the rating plate of the battery charger. Be sure to connect the battery charger to a power supply with the voltage marked on the rating plate. Never connect it to a different mains voltage.
2. Protect the battery charger and its cord from damage. Keep the charger and its cord away from heat, oil and sharp edges. Have damaged cords repaired without delay by a qualified technician at an authorized Snow Joe® + Sun Joe® dealer or call the Snow Joe® + Sun Joe® customer service center at 1-866-SNOWJOE (1-866-766-9563).
3. Electrical plugs must match the outlet. Never modify the plug in any way. Do not use any adapter plugs with grounded appliances. Unmodified plugs and matching outlets will reduce the risk of electric shock.
4. Keep the battery charger, battery pack(s) and the cordless tool out of the reach of children.
5. Do not use the supplied battery charger to charge other cordless tools.
6. During periods of heavy use, the battery packs will become warm. Allow the battery packs to cool to room temperature before inserting it into the charger to recharge.
7. Do not overcharge batteries. Do not exceed the maximum charging times. These charging times only apply to discharged batteries. Frequent insertion of charged or partially charged battery packs will result in overcharging and cell damage. Do not leave batteries in the charger for days on end.
1. Wear suitable work clothes. Wear safety goggles.
2. Protect your cordless tool and the battery charger from moisture and rain. Moisture and rain can cause dangerous cell damage.
3. Do not use the cordless tool or the battery charger near vapors and flammable liquids.
4. Use the battery charger and cordless tools only in dry conditions and at an ambient temperature of 41°F – 105°F (5°C – 40.5°C).
5. Do not keep the battery charger in places where the temperature is liable to reach over 105°F (40.5°C). In particular, do not leave the battery charger in a car that is parked in the sunshine.
6. Protect batteries from overheating. Overloads, overcharging and exposure to direct sunlight will result in overheating and cell damage. Never charge or work with batteries that have been overheated – replace them immediately, if possible.
7. Store the charger and your cordless tool only in dry locations with an ambient temperature of 41°F – 105°F (5°C – 40.5°C). Store your lithium-ion battery packs in a cool, dry place at a temperature of 77°F (25°C). Protect the battery packs, charger and cordless tool from humidity and direct sunlight. Only place fully charged batteries in storage (charged to at least 40%).
8. Prevent the lithium-ion battery packs from freezing. Battery packs that were stored below 32°F (0°C) for more than 60 minutes must be discarded.
9. When handling batteries, be wary of electrostatic charge. Electrostatic discharges can damage the electronic protection system and the battery cells. Avoid electrostatic charging and never touch the battery poles.

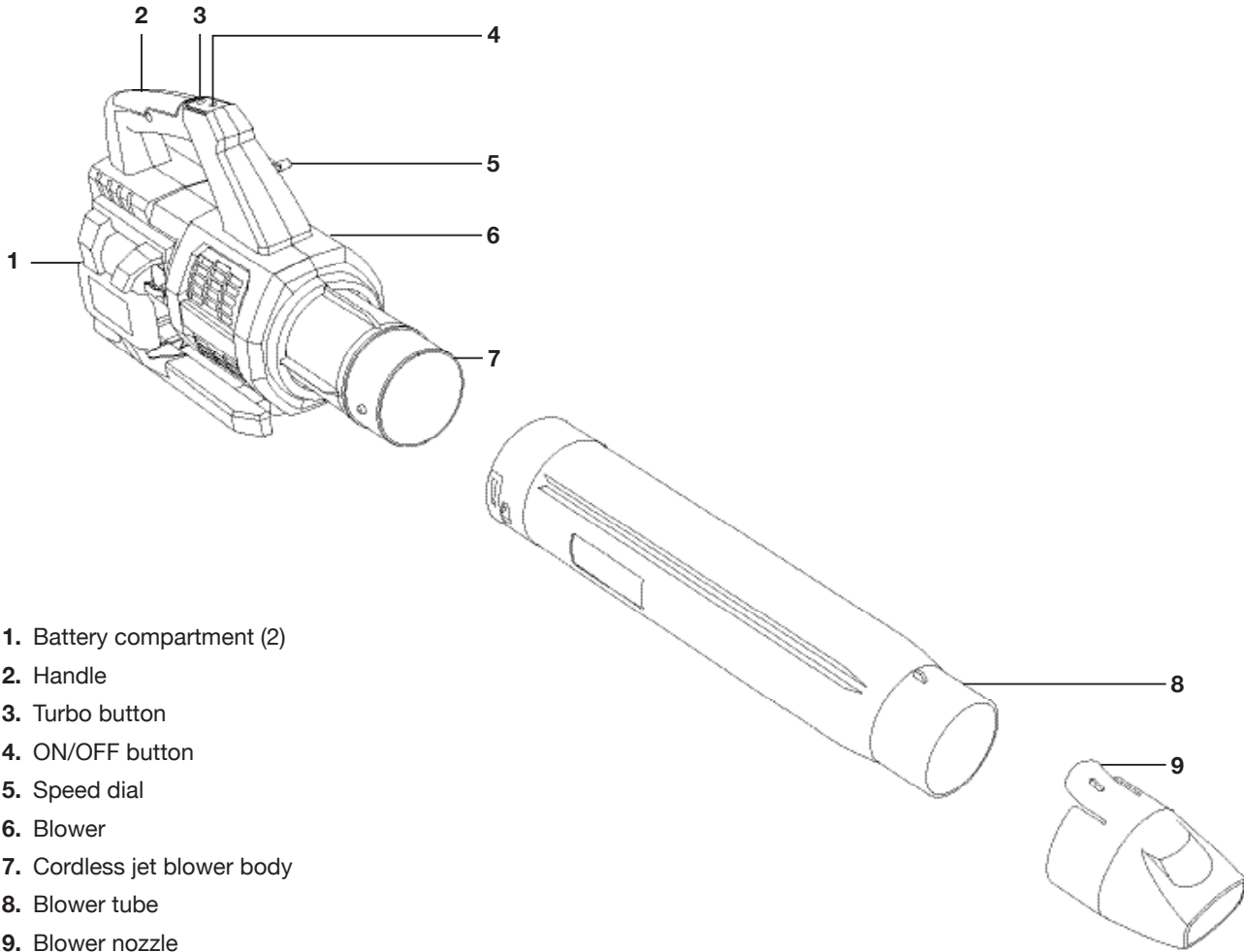
Safety Symbols

The following table depicts and describes safety symbols that may appear on this product. Read, understand and follow all instructions on the machine before attempting to assemble and operate.

Symbols	Descriptions	Symbols	Descriptions
	READ THE OPERATOR'S MANUAL(S) – Read, understand and follow all instructions in the user manual(s) before attempting to assemble and operate.		Keep bystanders and children a safe distance away.
	SAFETY ALERT – Indicates a precaution, a warning or a danger.		WARNING! Do not expose the unit to rain or wet conditions.
	Beware of flying objects and debris.		Wear hearing protection. Wear eye protection. Wear breathing protection.
	DANGER! Rotating impellers pose a serious risk of injury. Keep hands and feet away from openings while the machine is running.		The rotating part will continuously run for several seconds after you turn off the machine.
	Immediately remove the plug from the mains if the power cable is damaged, frayed or entangled. Always keep the power cable away from heat, oil and sharp edges.		WARNING! Turn the machine OFF and disconnect it from the power supply before inspecting, cleaning, changing accessories or conducting any other maintenance task.

Know Your Cordless Turbine Jet Blower

Read the owner's manual and safety instructions carefully before operating the cordless turbine jet blower. Compare the illustration below to the cordless jet blower in order to familiarize yourself with the location of the various controls and adjustments. Save this manual for future reference.



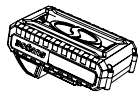
- 1. Battery compartment (2)
- 2. Handle
- 3. Turbo button
- 4. ON/OFF button
- 5. Speed dial
- 6. Blower
- 7. Cordless jet blower body
- 8. Blower tube
- 9. Blower nozzle

SOLD SEPARATELY

Battery + Charger options available at sunjoe.com



24VBAT-LTE



24VBAT-LT



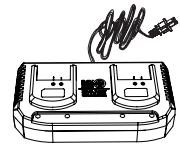
24VBAT



24VBAT-XR



24VCHRG-QC



24VCHRG-DPC

Technical Data

Battery Voltage Max*	2 x 24 V D.C.
Battery Capacity	See page 14 for battery options and specifications
Battery Runtime Max (on High)	See page 14 for battery options and specifications
Charge Time Max	See page 14 for battery options and specifications
Motor	380 W
Air Speed Max (Turbo)	140 mph
Air Speed Max (without Turbo)	90 mph
Air Flow Max	560 CFM
Speed Settings	Variable speed + turbo setting
Weight (without batteries)	5.7 lbs (2.6 kg)

*Generates 48 V max with two 24 V lithium-ion batteries. Initial no-load voltage, per fully charged battery, peaks at 24 V. Nominal voltage under typical load is 21.6 V.

Unpacking

Carton Contents

- Cordless jet blower body
- Blower tube
- Blower nozzle
- Manual with registration card

NOTE: In order to operate this cordless turbine jet blower you will need iON+ 24V System batteries and chargers. See page 14 for battery options and specifications, or visit sunjoe.com.

1. Carefully remove the cordless jet blower and check to see that all of the above items are supplied.
2. Inspect the product carefully to make sure no breakage or damage occurred during shipping. If you find damaged or missing parts, DO NOT return the unit to the store. Please call the Snow Joe® + Sun Joe® customer service center at 1-866-SNOWJOE (1-866-766-9563).

NOTE: Do not discard the shipping carton and packaging material until you are ready to use the cordless jet blower. The packaging is made of recyclable materials. Properly dispose of these materials in accordance with local regulations.

IMPORTANT! The equipment and packaging material are not toys. Do not let children play with plastic bags, foils or small parts. These items can be swallowed and pose a suffocation risk!

Battery Pack Operation

The equipment is powered by a lithium-ion battery. The battery pack is completely sealed and maintenance free.





TOOL ONLY BATTERY + CHARGER SOLD SEPARATELY

In order to operate this cordless turbine jet blower you will need an iON+ 24V System battery and charger. See page 14 for battery and charger options and specifications, or for more information visit sunjoe.com.

Battery Charge Level Indicator

The battery pack is equipped with a push button for checking the charge level. Simply press the push button to read off the battery charge level from the LEDs of the battery indicator:

- All 3 level monitoring LEDs are lit: Battery charge level is high.
- 2 level monitoring LEDs are lit: Battery charge level is decreasing. Stop work as soon as possible.
- 1 level monitoring LED is lit: Battery is flat. Stop work IMMEDIATELY and charge the battery. Otherwise the battery's service life will be greatly shortened.

Lights	Light Indicators
	Charge level button
	The battery is at 30% capacity and requires charging
	The battery is at 60% capacity and requires charging soon
	The battery is at full capacity

NOTE: If the charge level button does not appear to be working, place the battery pack on the charger and charge as needed.

Immediately after using the battery pack, the charge level button may display a lower charge than it will if checked a few minutes later. The battery cells "recover" some of their charge after resting.

Charger Operation

⚠ WARNING! Charge only iON+ 24V lithium-ion battery packs with its compatible iON+ 24V lithium-ion quick charger. Other types of batteries may cause personal injury and damage. To reduce the risk of electric shock, do not allow water to flow into the charger's AC/DC plug.

TOOL ONLY
BATTERY + CHARGER SOLD SEPARATELY

In order to operate this cordless turbine jet blower you will need an iON+ 24V System battery and charger. See page 14 for battery and charger options and specifications, or for more information visit sunjoe.com.

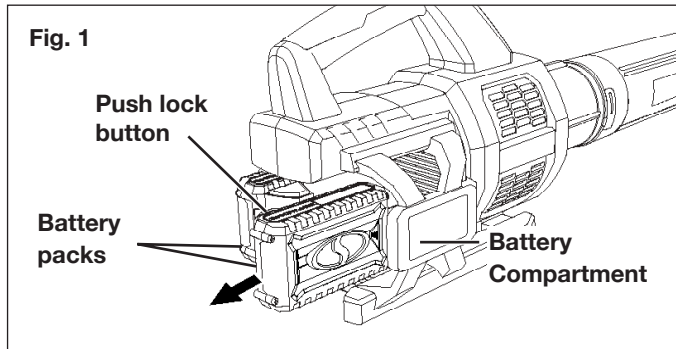
When to Charge the iON+ 24V Lithium-iON Batteries

NOTE: The iON+ 24V lithium-ion battery packs do not develop a "memory" when charged after only a partial discharge. Therefore, it is not necessary to run down the battery pack before inserting the charger plug.

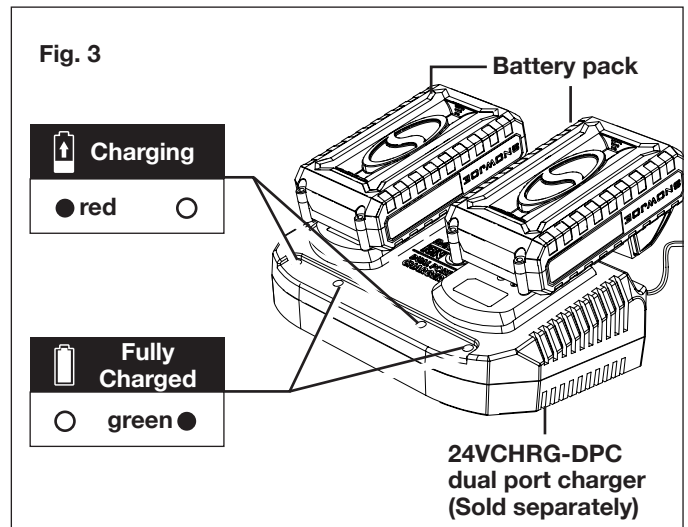
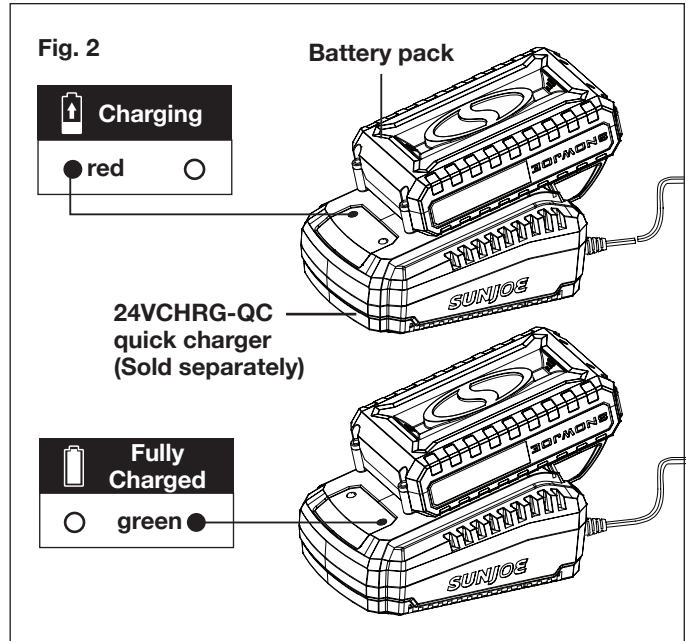
- Use the battery charge indicator lights to determine when to charge your iON+ 24V lithium-ion battery pack.
- You can "top-off" your battery pack's charge before starting a big job or after a long day of use.

Charging the Batteries

1. Push the push lock buttons on the batteries to pull the battery packs out from the battery compartments (Fig. 1).



2. Depending on your Snow Joe® + Sun Joe® charger model, how to recharge your lithium-ion batteries will vary. You may either insert your 24-volt batteries into the 24VCHRG-QC Quick Charger (sold separately) or the 24VCHRG-DPC Dual Port Charger (sold separately) (Figs. 2 – 3).



3. The battery indicator LEDs will illuminate one by one during the charging process. Unplug the charger immediately when the 3 LEDs are all illuminated.
4. The 24VCHRG-QC Quick Charger (sold separately) and the 24VCHRG-DPC Dual Port Charger (sold separately) are also equipped with additional charging indicating lights which will indicate the charging status (Figs. 2 – 3).

⚠ CAUTION! FIRE HAZARD. When remove the batteries from the charger, be sure to unplug the charger from the outlet first, then remove the batteries from the charger.

⚠ WARNING! This charger does not automatically turn off when the batteries are fully charged. Please take care not to leave the batteries in the charger. Switch off or unplug the charger at the mains when charging is complete.

5. Timely recharging of the batteries will help prolong the batteries' life. You must recharge the battery packs when you notice a drop in the equipment's power.

IMPORTANT! Never allow the battery packs to become fully discharged as this will cause irreversible damage to the batteries.

- When charging is complete, remove the batteries from the charger by pulling the push lock button and sliding the batteries backward to unlock it from the charger.

Assembly

⚠️ WARNING! To avoid serious personal injury, read and understand all safety instructions provided.

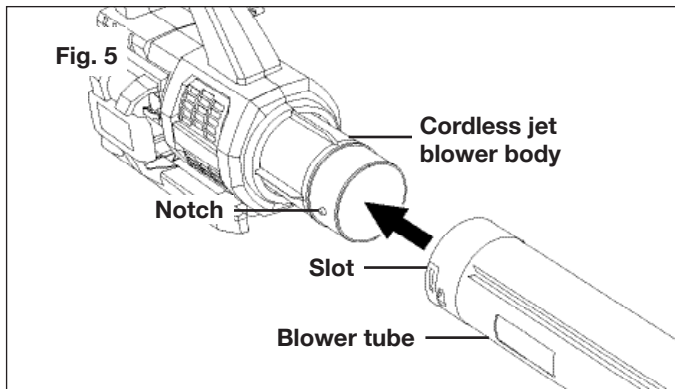
⚠️ WARNING! Do not insert batteries until assembly is complete. Failure to comply could result in accidental starting and possible serious personal injury.

⚠️ WARNING! Before performing any maintenance, make sure batteries are removed. Failure to heed this warning could result in serious personal injury.

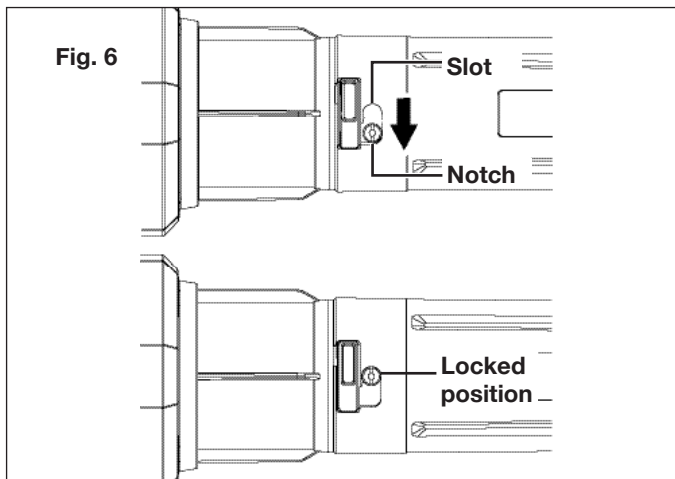
⚠️ WARNING! To prevent serious personal injury, make sure the ON/OFF button is in the OFF (0) position, the batteries are removed and the impeller has come to a complete stop before attaching the tube.

Attaching the Jet Blower Tube

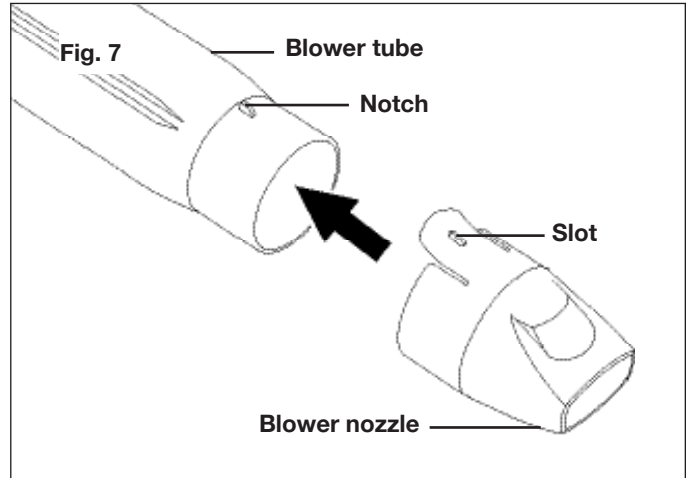
- Align the slot on the blower tube with the notch on the cordless jet blower body. Slide the two together (Fig. 5).



- Twist the blower tube clockwise until the notch clicks into the end of the slot (Fig. 6).



- Then, align the notch on the blower tube with the slot on the blower nozzle. Slide the pieces together until they click in place (Fig. 7).



⚠️ WARNING! To avoid the risk of injury, it is not recommended to disassemble the blower tube.

TOOL ONLY

BATTERY + CHARGER SOLD SEPARATELY

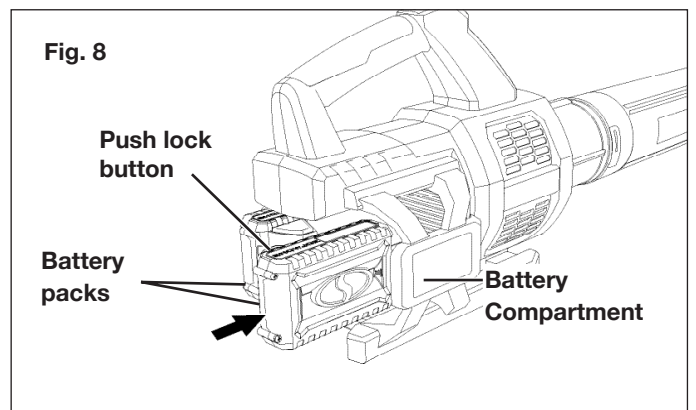
In order to operate this cordless turbine jet blower you will need an iON+ 24V System battery and charger. See page 14 for battery and charger options and specifications, or for more information visit sunjoe.com.

Operation

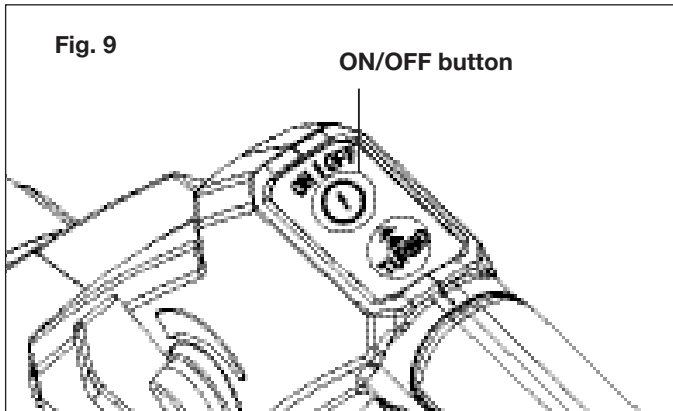
Starting + Stopping

⚠️ CAUTION! Starting, stopping, and restarting a DC motor repeatedly within a few seconds can generate a great deal of heat and damage the motor. To protect the life of your cordless jet blower, always wait at least five seconds after stopping before restarting the jet blower.

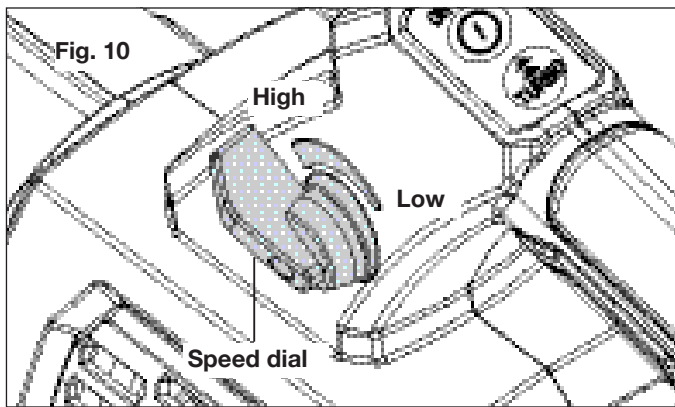
- Insert the batteries in the battery compartments (Fig. 8).



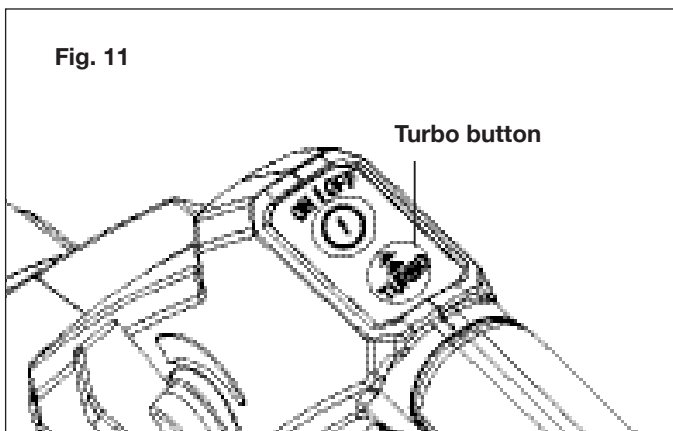
2. To start the cordless jet blower, press the ON/OFF button (Fig. 9).



3. To control the speed, use the dial to adjust between low to high speed, and reach up to 90 mph (Fig. 10).



4. This unit is equipped with a Turbo button that will allow the blower to reach 140 mph. Press and hold the Turbo button to activate. Release the Turbo button to turn Turbo mode off (Fig. 11).



⚠️ WARNING! The Turbo button is for short term use only. Do not use the Turbo function for extended periods of time. Using this function for an extended time can cause damage.

5. To turn the tool off, press the ON/OFF button (Fig. 9).

Operating Tips

⚠️ WARNING! Use the cordless jet blower only in daylight or good artificial light.

- When using the cordless jet blower, plant your feet firmly on the ground and place your dominant hand on the unit handle to control the unit. Use your other hand to steady the unit as needed.
- Wear personal protective equipment during your work session. This includes boots, safety glasses/goggles, ear defenders, long pants and a long-sleeve shirt.
- Make sure the jet blower tube nozzle is not directed at anybody or any loose debris before starting the unit.
- Verify that the unit is in good working condition. Make sure the tubes and guards are in place and secure.
- Keep a firm grip on the unit handle while in use.
- To reduce the risk of hearing loss associated with increased sound levels, hearing protection is required.
- Operate power equipment only at reasonable hours— not early in the morning or late at night when people might be disturbed. Comply with times listed in local ordinances. Usual recommendations are 9:00 am to 5:00 pm, Monday through Saturday.
- To reduce noise levels, limit the number of pieces of power equipment used at any one time and operate power blowers at the lowest possible speed setting necessary to do the job.
- Use rakes and brooms to loosen debris before blowing.
- In dusty conditions, slightly dampen surfaces.
- Conserve water by using power blowers instead of hoses for many lawn and garden applications, including areas such as gutters, screens, patios, grills, porches and gardens.
- Blow debris into a safe, open area away from children, pets, open windows or freshly washed cars.
- Clean up after using leaf blowers and other lawn equipment. Dispose of debris appropriately.

⚠️ WARNING! To avoid serious personal injury, wear ear defenders, goggles or safety glasses at all times when operating this unit. Wear a face mask or dust mask in dusty locations.

⚠️ WARNING! To prevent serious personal injury or damage to the unit, make sure the blower tube is in place before operating the unit.

Air Vents

Never cover air vents. Keep them free from obstructions and debris. They must always remain clear for proper motor cooling.

⚠️ WARNING! To avoid serious personal injury, do not wear loose fitting clothing or articles such as scarves, strings, chains, ties, etc., that could get drawn into the air vents. To make sure long hair does not get drawn into the air vents, tie back long hair.

Blowing Operation

- Hold the jet blower firmly with your dominant hand on the unit handle. Sweep from side to side with the nozzle several inches above the ground or floor (Fig. 12).



- Slowly advance the unit, keeping the accumulated pile of debris in front of you.

Maintenance

⚠️ WARNING! Always wear protective gloves during maintenance operations. Do not carry out maintenance when the engine is running or hot.

⚠️ WARNING! Use only original manufacturer's replacement parts, accessories and attachments. Failure to do so can cause possible injury and poor performance.

To order genuine replacement parts or accessories for the Sun Joe® 24V-X2-JB500-CT-RM cordless jet blower, please visit sunjoe.com or contact the Snow Joe® + Sun Joe® customer service center at 1-866-SNOWJOE (1-866-766-9563).

⚠️ WARNING! Remove the batteries before performing any maintenance task.

If the battery is connected with the unit, someone could accidentally turn on the unit while you are inspecting it, which could result in serious personal injury.

1. Store the tool, instruction manual and accessories in a secure, dry place. In this way, you will always have the

information ready at hand.

2. Keep the tool's air vents unclogged and clean at all times.
3. Remove dust and dirt regularly. Cleaning is best done with a rag or brush.
4. Never use caustic agents to clean plastic parts.

⚠️ WARNING! Do not use cleaning agents to clean the plastic parts of the tool. A mild detergent on a damp cloth is recommended. Water must never come into contact with the tool.

Storage

1. Examine the cordless jet blower thoroughly for worn, loose, or damaged parts. Should you need to repair or replace a part, contact an authorized Snow Joe® + Sun Joe® dealer or call the Snow Joe® + Sun Joe® customer service center at 1-866-SNOWJOE (1-866-766-9563) for assistance.
2. Remove the batteries from the cordless jet blower before storing.
3. Store the jet blower in a dry, well-ventilated place that is inaccessible to children. Keep away from corrosive agents.

Battery Caution + Disposal

Always dispose of your battery packs according to federal, state, and local regulations. Contact a recycling agency in your area for recycling locations.

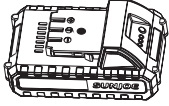
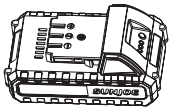

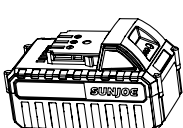
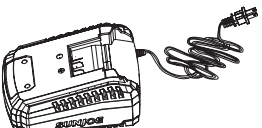
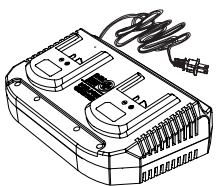
⚠️ CAUTION! Even discharged battery packs contain some energy. Before disposing, use electrical tape to cover the terminals to prevent the battery packs from shorting, which could cause a fire or explosion.

⚠️ WARNING! To reduce the risk of injury or explosion, never burn or incinerate a battery pack even if it is damaged, dead, or completely discharged. When burned, toxic fumes and materials are emitted into the surrounding atmosphere.

1. Batteries vary according to device. Consult your manual for specific information.
2. Install only new batteries of the same type in your product (where applicable).
3. Failure to insert batteries in the correct polarity, as indicated in the battery compartment or manual, may shorten the life of the batteries or cause batteries to leak.
4. Do not mix old and new batteries.
5. Do not mix Alkaline, Standard (Carbon-Zinc), or Rechargeable (Nickel Cadmium, Nickel Metal Hydride, or Lithium-Ion) batteries.
6. Do not dispose of batteries in fire.
7. Batteries should be recycled or disposed of as per state and local guidelines.

Optional Accessories

⚠ WARNING! ALWAYS use only authorized Snow Joe® + Sun Joe® replacement parts and accessories. NEVER use replacement parts or accessories that are not intended for use with this cordless jet blower. Contact Snow Joe® + Sun Joe® if you are unsure whether it is safe to use a particular replacement part or accessory with your cordless jet blower. The use of any other attachment or accessory can be dangerous and could cause injury or mechanical damage.

Accessories	Item	Model
	iON+ 24V 2.0 Ah Lithium-Ion Battery <i>Battery Charge Time Max:</i> <i>Charge times vary by charger. See website for details.</i> <i>Battery Runtime Max: high speed 18 min; low speed 50 min</i>	24VBAT-LTE
	iON+ 24V 2.5 Ah Lithium-Ion Battery <i>Battery Charge Time Max:</i> <i>Charge times vary by charger. See website for details.</i> <i>Battery Runtime Max: high speed 22 min; low speed 1 hr 2 min</i>	24VBAT-LT
	iON+ 24V 4.0 Ah Lithium-Ion Battery <i>Battery Charge Time Max:</i> <i>Charge times vary by charger. See website for details.</i> <i>Battery Runtime Max: high speed 36 min; low speed 1 hr 40 min</i>	24VBAT
	iON+ 24V 5.0 Ah Lithium-Ion Battery <i>Battery Charge Time Max:</i> <i>Charge times vary by charger. See website for details.</i> <i>Battery Runtime Max: high speed 45 min; low speed 2 hrs 5 min</i>	24VBAT-XR
	iON+ 24V Lithium-Ion Battery Quick Charger	24VCHRG-QC
	iON+ 24V Lithium-Ion Dual-Port Battery Charger	24VCHRG-DPC

NOTE: Accessories are subject to change without any obligation on the part of Snow Joe® + Sun Joe® to provide notice of such changes. Accessories can be ordered online at sunjoe.com or via phone by contacting the Snow Joe® + Sun Joe® customer service center at 1-866-SNOWJOE (1-866-766-9563).



SNOW JOE® + SUN JOE® REFURBISHED GOODS WARRANTY

GENERAL CONDITIONS:

Snow Joe® + Sun Joe® operating under Snow Joe®, LLC warrants this refurbished product to the original purchaser for 90 days against defects in material or workmanship when used for normal residential purposes. If a replacement part or product is needed, it will be sent free of charge to the original purchaser except as noted below.

The duration of this warranty applies only if the product is put to personal use around the household. It is the owner's responsibility to correctly perform all maintenance and minor adjustments explained in the owner's manual.

HOW TO OBTAIN YOUR REPLACEMENT PART OR PRODUCT:

To obtain a replacement part or product, please visit snowjoe.com/help or email us at help@snowjoe.com for instructions. Please be sure to register your unit beforehand to speed up this process. Certain products may require a serial number, typically found on the decal affixed to the housing or guard of your product. All products require a valid proof of purchase.

EXCLUSIONS:

- Wearing parts like belts, augers, chains and tines are not covered under this warranty. Wearing parts can be purchased at snowjoe.com or by calling 1-866-SNOWJOE (1-866-766-9563).
- Batteries are covered in full for 90-days from the date of purchase.

Snow Joe® + Sun Joe® may from time to time change the design of its products. Nothing contained in this warranty shall be construed as obligating Snow Joe® + Sun Joe® to incorporate such design changes into previously manufactured products, nor shall such changes be construed as an admission that previous designs were defective.

This warranty is intended to cover product defects only. Snow Joe®, LLC is not liable for indirect, incidental or consequential damages in connection with the use or misuse of the Snow Joe® + Sun Joe® products covered by this warranty. This warranty does not cover any cost or expense incurred by the purchaser in providing substitute equipment or service during reasonable periods of malfunction or non-use of this product while waiting for a replacement part or unit under this warranty. Some states do not allow exclusions of incidental or consequential damages so the above exclusions may not apply in all states. This warranty may give you specific legal rights in your state.

HOW TO REACH US:

We're here to help Monday through Friday from 9AM to 7PM EST and Saturday and Sunday 9AM to 4PM. You can reach us at 1-866-SNOWJOE (1 866-766-9563), online at snowjoe.com, via email at help@snowjoe.com or tweet us @snowjoe.

EXPORTS:

Customers who have purchased Snow Joe® + Sun Joe® products exported from the United States and Canada should contact their Snow Joe® + Sun Joe® distributor (dealer) to obtain information applicable to your country, province or state. If for any reason, you are not satisfied with the distributor's service, or if you have difficulty obtaining warranty information, contact your Snow Joe® + Sun Joe® seller. If in the event your efforts are unsatisfactory, please reach out to us directly.



sunjoe.com